

Figures

If you have not written scientific reports before they follow a specific format. The outline of the report format can be found on the report web page.

Tables and figures also have specific format that you should follow.

A figure is an illustration, graph or picture that is useful to explaining the point you which to make in the report. They follow this general format.

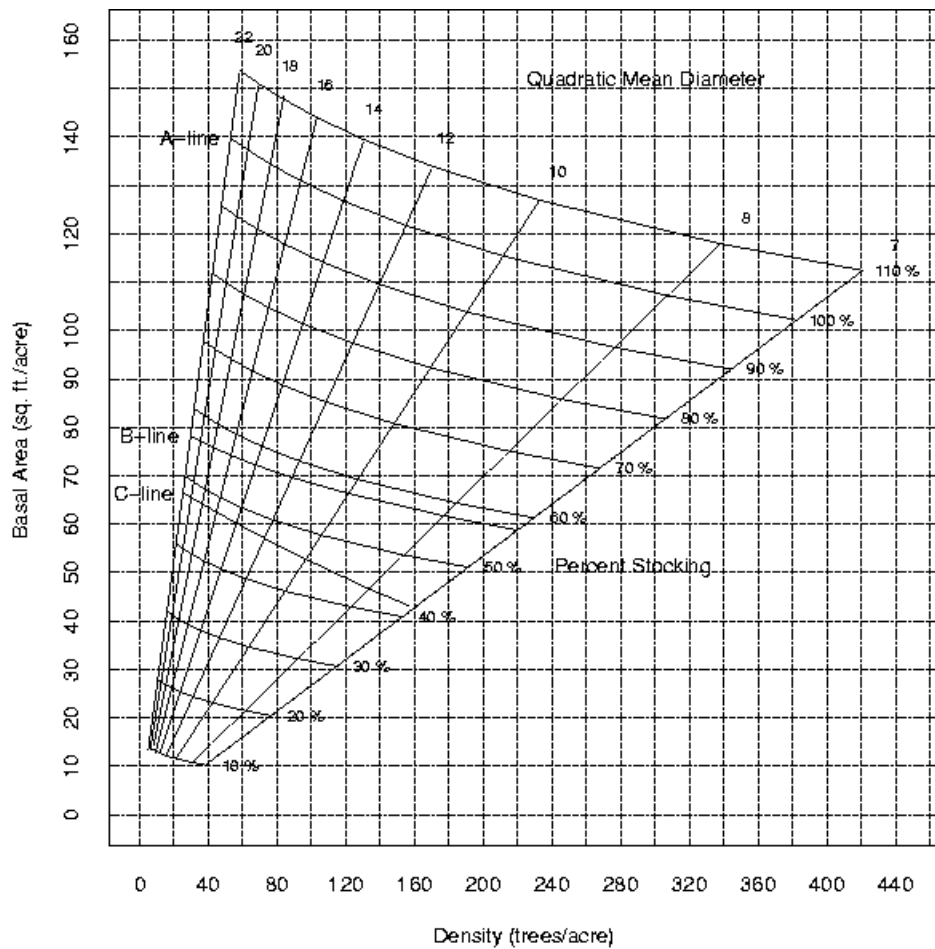


Figure 1, Gingrich diagram for the Upland oak forest type. A-Line represents the average maximum stocking found in this type of forest. B-line represents tree free to grow but fully occupying the site. C-line represents stand that can grow to the B-line in 10 years.

Natural Resource Biometrics

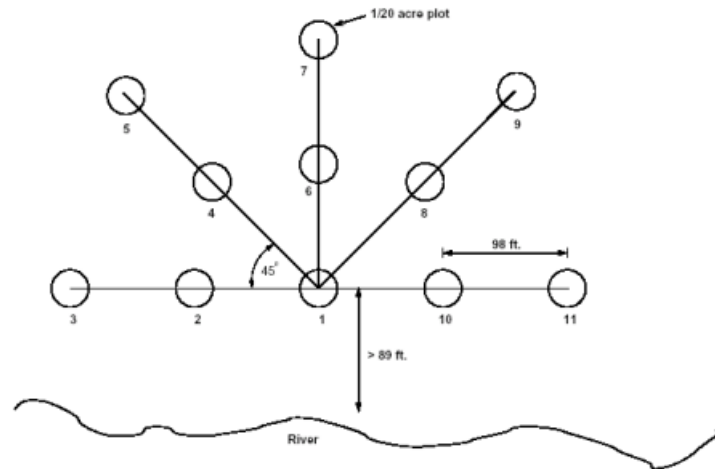


Figure 2, Layout of plot cluster for big river mortality plots. The plot center was established ~90 feet from the rivers edge and the main axis parallel to the river. Subplots are 98 feet m apart.

Figures always have their caption at the **BOTTOM** of the figure. Again the caption should have enough information to let the read know that the figure is trying to tell them.

Also See:

Brusaw, C. T., G. J. Alred, and W. E. Oliu. 1987. Handbook of Technical Writing 3rd edition. *St Martin Press* New York. 787p.